



ALG650C

用户指南
6.5寸套装喇叭

USER'S GUIDE
6.5-inch component speakers

SPEAKER
SERIES



注意事项:

安全须知:

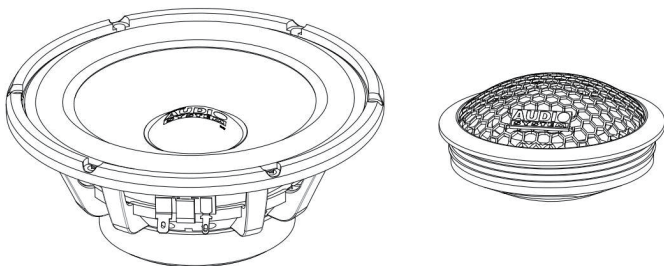
- 在打孔安装本产品之前,请确认安装空间是否合适,并仔细阅读、理解所有相关说明,如果由于未遵循说明而造成损害,则将不能享受保修。
- 请使用随附的安装配件,以确保安装安全稳固。
- 切勿在超出最大功率的情况下使用该扬声器。
- 为了防止噪音干扰,请确保接线远离发动机,高压导线和其它潜在的噪音来源。
- 为防止短路,请确保布线避开运动的部件和锋利的边缘。
- 用柔软的布清洁该扬声器,切勿使用酒精、化学品或家用清洁剂等物质清洁本产品。

保证条件:

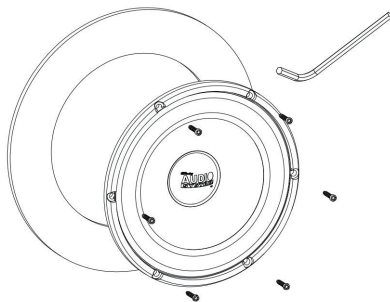
- 所有 **AUDIO** 扬声器均由您所在国家的官方 **AUDIO** 经销商制定保修服务。
- 您的经销商可以提供有关担保条件的所有详细信息。保证范围至少延伸至原始购买发票所在国有效的法律保证中所授予的范围。

用户手册：

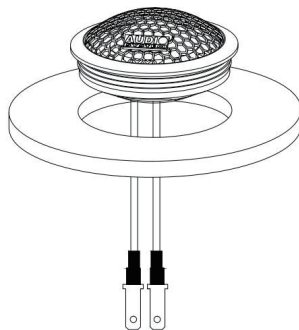
感谢您购买 **AUDIO SYSTEM** 品牌喇叭，这是一款专门为您精心设计和开发的 6.5 寸套装喇叭。它拥有卓越的性能，为您还原激情而丰富的真实声音、能适应汽车上诸多苛刻的应用环境。本产品已经通过全面的测试，以确保其性能的一致性和可靠性。



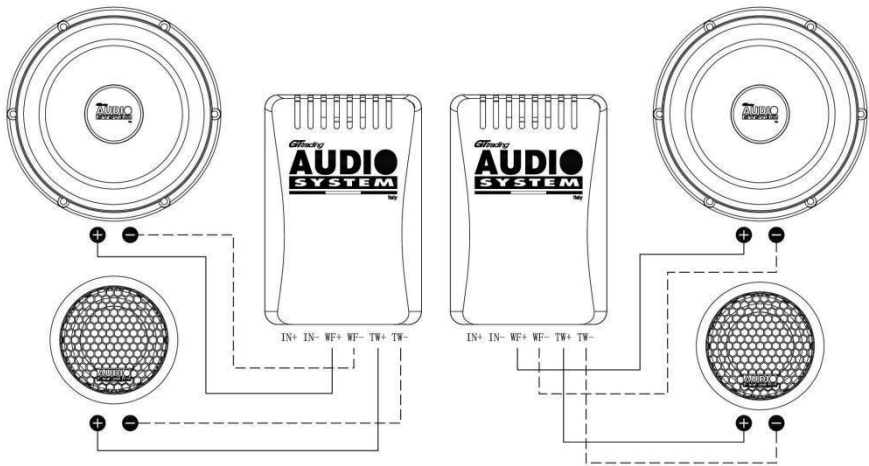
低音喇叭安装示意图：



高音喇叭安装示意图：



成品连接示意图：



低音技术参数:

鼓纸材质: 特制复合纸音盆+胶边

阻抗: 4.0 欧姆

持续功率: 50 瓦

频率响应: 65~7000 赫兹

灵敏度: 88 分贝

音圈: 1 寸铝管, 耐高温铜线

Q_{ms}: 2.45

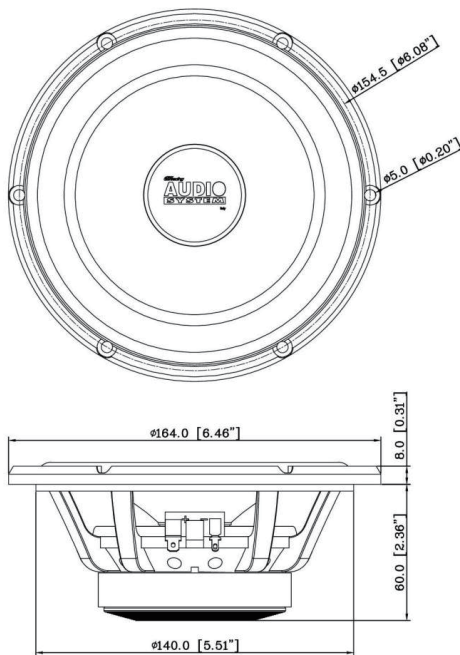
Q_{es}: 0.497

Q_{ts} (推动 Q 值): 0.413

重量: 0.92 (公斤)

安装深度: 62mm

安装直径: 141mm



高音技术参数:

音膜材质:高档蚕丝

阻抗:4.0 欧姆

持续功率:25 瓦

频率响应:1400~22000 赫兹

灵敏度:90 分贝

音圈:1 寸铝管,耐高温铜线

安装深度:15mm

安装直径:44mm

产品清单:

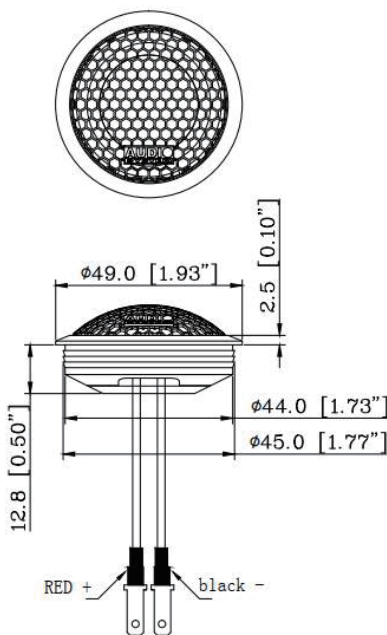
2 × 低音扬声器

2 × 高音扬声器

2 × 分音器

1 × 使用说明书

1 × 保修卡



Precautions:

Safety Precautions:

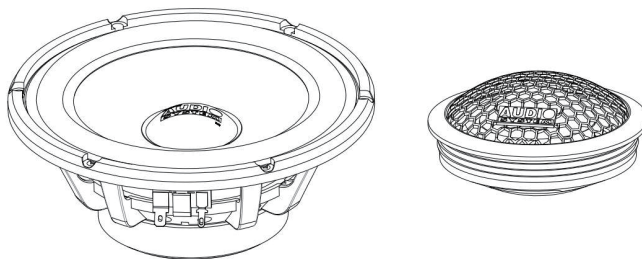
- Before installing this product, make sure that the installation space is appropriate and read and understand all the instructions. If you do not follow the instructions, you will not be able to enjoy the warranty.
- Use the supplied mounting accessories to ensure safe and secure installation.
- Do not use the loudspeaker beyond maximum power.
- To prevent noise interference, make sure that the wiring is away from the engine, high voltage wires, and other potential noise sources.
- To prevent short circuits, make sure that wiring avoids moving parts and sharp edges.
- Clean the speaker with a soft cloth. Do not use alcohol, chemicals, or household cleaners to clean the product.

Conditions of guarantee:

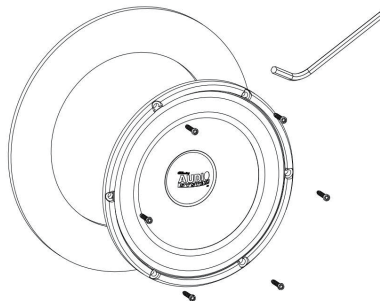
- All **AUDIO SYSTEM** speakers are covered by guarantee drawn up by the official **AUDIO SYSTEM** distributor in your country.
- Your distributor can provide all details concerning the conditions of guarantee. Guarantee cover extends at least to that granted by the legal guarantee in force in the country where the original purchase invoice was issued.

User manual:

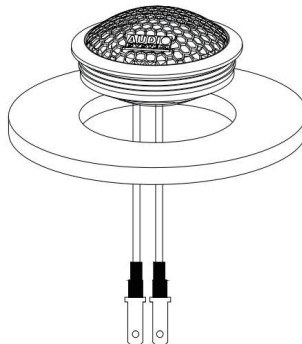
Thank you for purchasing the **AUDIO SYSTEM** brand speaker, which is a specially designed and developed for your 6.5-inch component speakers. It has excellent performance, for you to restore passion and rich real voice, can adapt to many harsh application environments in automobiles. This product has passed a comprehensive test to ensure its performance is consistent and reliable.



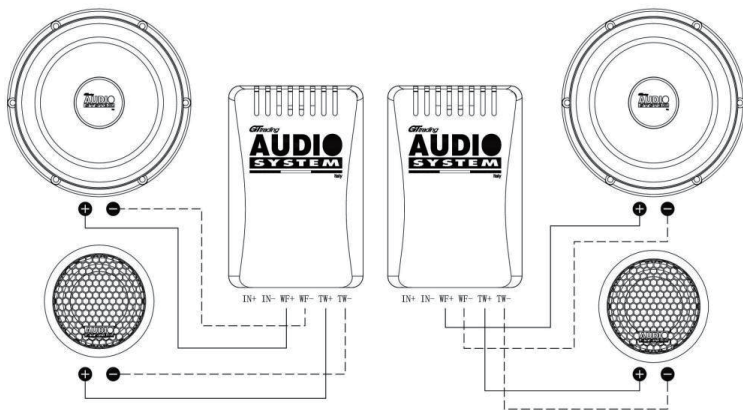
Subwoofer installation diagram:



Tweeter installation diagram:



Finished product connection diagram:



Woofer technical data:

Cone Material: Special composite paper + rubber edge

DCR Impedance: 4.0 Ω

Continuous Power Input: 50W

Frequency Range: 65 ~ 7000 Hz

Sensitivity 1W/1M: 88 dB

Voice Coil: 1" Aluminum tube, high temperature

resistance copper wire

Qms: 2.45

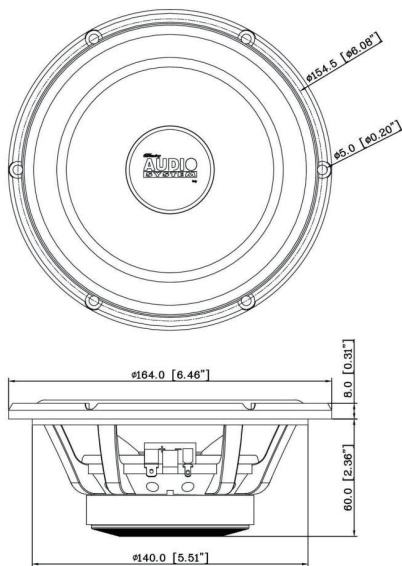
Qes: 0.497

Qts: 0.413

Weight: 0.92 (KG)

Mounting Depth: 62 mm

Mounting Diameter: 141 mm



Tweeter technical data:

Dome Material: High quality silk

DCR Impedance: 4.0 Ω

Continuous Power Input: 25W

Frequency Range: 1400~22000 Hz

Sensitivity 1W/1M: 90 dB

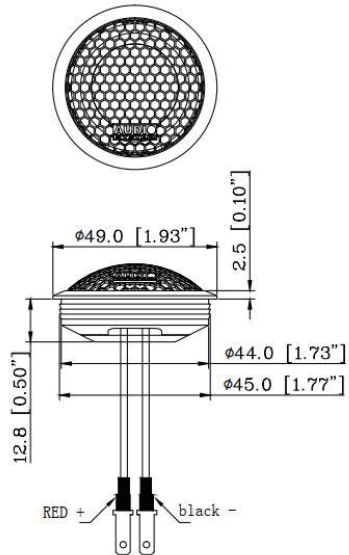
Voice Coil: 1" Aluminum tube, high temperature
resistance copper wire

Mounting Depth: 15 mm

Mounting Diameter: 44 mm

Product List:

- 2 × Woofer
- 2 × Tweeter
- 2 × Crossover
- 1 × Manual
- 1 × Warranty card



G.T trading 保留对所示产品进行修改或改进的权利，恕不另行通知 - 所示产品的可用性可能会有所更改 - 本用户指南中描述的产品仅代表可用 **AUDIO** 产品的一部分 - 提及的所有品牌和商标 仅用于描述目的，所有权利归属于所有者 - 禁止全部或部分复制本用户指南。

G.T. trading reserves the right to make modifications or improvements to the products illustrated without notice thereof-The availability of the products illustrated is subject to change-The products described in this User's Guide represent just a part of the **AUDIO** products available-All brands and trademarks mentioned have been used exclusively for description purposes and all rights belong to the respective owners- Total or partial reproduction of this User's Guide is prohibited.